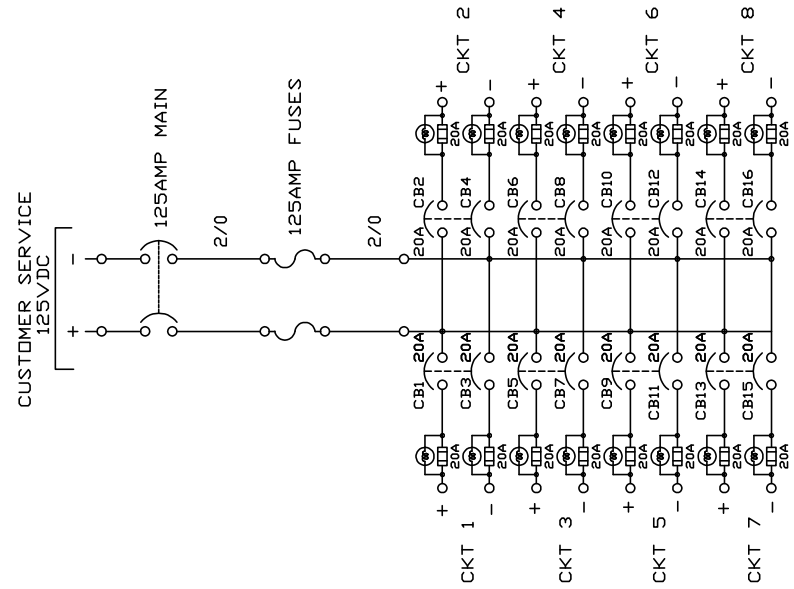


| REV |  | DESCRIPTION | DATE | APPROVED |
|-----|--|-------------|------|----------|
|     |  |             |      |          |



ELEMENTARY WIRING

PARTS LIST

|   |  |   |  |
|---|--|---|--|
| <p>THIS DRAWING AND INFORMATION IS CONDITIONALLY FURNISHED BY VAL-TECH INC. BY RECEIVING THIS DOCUMENT, IT IS MUTUALLY UNDERSTOOD AND AGREED NOT TO REPRODUCE THIS DRAWING IN WHOLE OR TO DISCLOSE INFORMATION HEREIN WITHOUT WRITTEN PERMISSION OF VAL-TECH INC. ALL REPRODUCTIONS IN WHOLE OR IN PART SHALL BEAR REFERENCE TO THIS STAMP.</p> |  | <p>JOB NO.:</p> <p>CUSTOMER:</p> <p>P.O. NO.:</p>             | <p>Val-Tech Inc<br/>24 McMillan Way<br/>Newark, DE 19713</p> |
| <p>PANEL NO.:</p> <p>MODEL NO: FDP-FD125-0125VDC-8</p> <p>ELECTRICAL</p>  |  | <p>125 VDC FDP-FD-8</p>                                       |  |
| <p>SIZE: C</p> <p>SCALE: NONE</p>   | <p>TOLERANCE: ±.06</p> <p>DATE: 03/14/01</p> | <p>DWG NO.:</p> <p>125 VDC FDP-FD-8</p> <p>DATE: 03/14/01</p> | <p>REV: 0</p> <p>1 OF 1</p>                                  |



125 VDC FDP-FD-8

1 OF 1

125VDC FDP-FD-8\_V3[6]